

Model No.	OSMY46K27GH- XXXAZ161D-A
REV.	C2

PRODUCT SPECIFICATION FOR **LED Light Strip**

Descriptions:

- Low Power Consumption, High Intensity
- Long life, Easy Installation
- Voltages Available 12VDC
- LED Model Number: OSXXXAZ161D

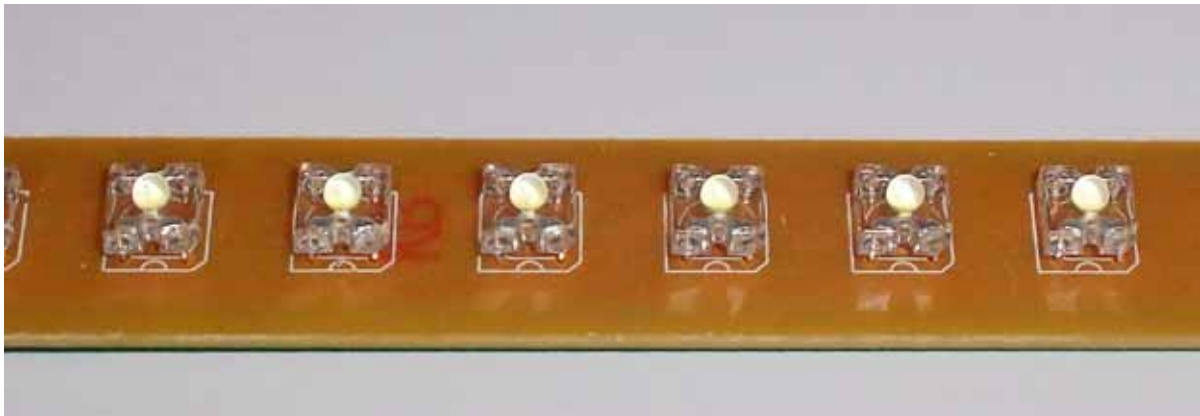
Features:

- Available in Red , Orange , Yellow , Green , Blue , White
- Directly use on line voltage
- Low Power Consumption , High intensity
- Energy saving
- Excellent beam control
- Long life

Application:

- Channel letter signs
- Indirect accent décor light
- Large area back lighting
- Under counter light
- Decorate building 's contour
- Substitute neon light

Product Picture:





Model No.	OSMY46K27GH- XXXAZ161D-A
REV.	C2

Device Selection Guide

Module No.	Color	Dom. Wavelength (Typ.)	Intensity / Per LED (Typ.)
R5MAZ161D-X	Red	625±5nm	4000 mcd
O5MAZ161D-X	Orange	605±5nm	4000 mcd
Y5MAZ161D-X	Yellow	590±5nm	4000 mcd
G5DAZ161D-X	Green	530±5nm	5000 mcd
B5SAZ161D-X	Blue	475±5nm	2500 mcd
V5HAZ161D-X	Violet	405±5nm	20 mcd
W5SLZ161D-X	White	X=0.27 ; Y=0.28	5500 mcd
M5SLZ161D-X	Warm White	X=0.45 ; Y=0.41	3000 mcd
K5SLZ161D-X	Pink	X=0.45 ; Y=0.17	1200 mcd

Absolute Maximum Ratings(Ta=25)

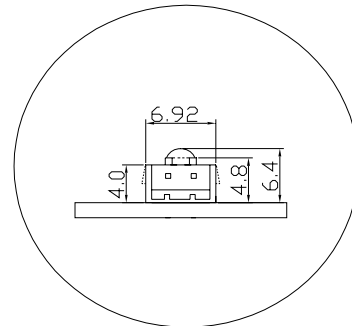
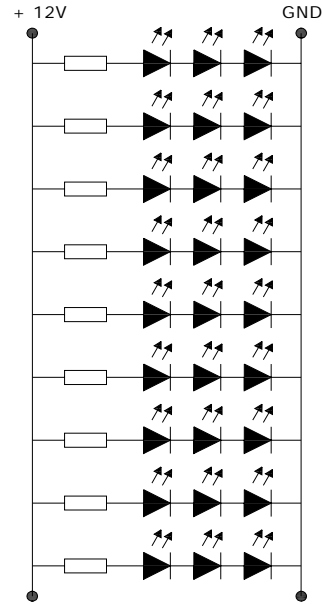
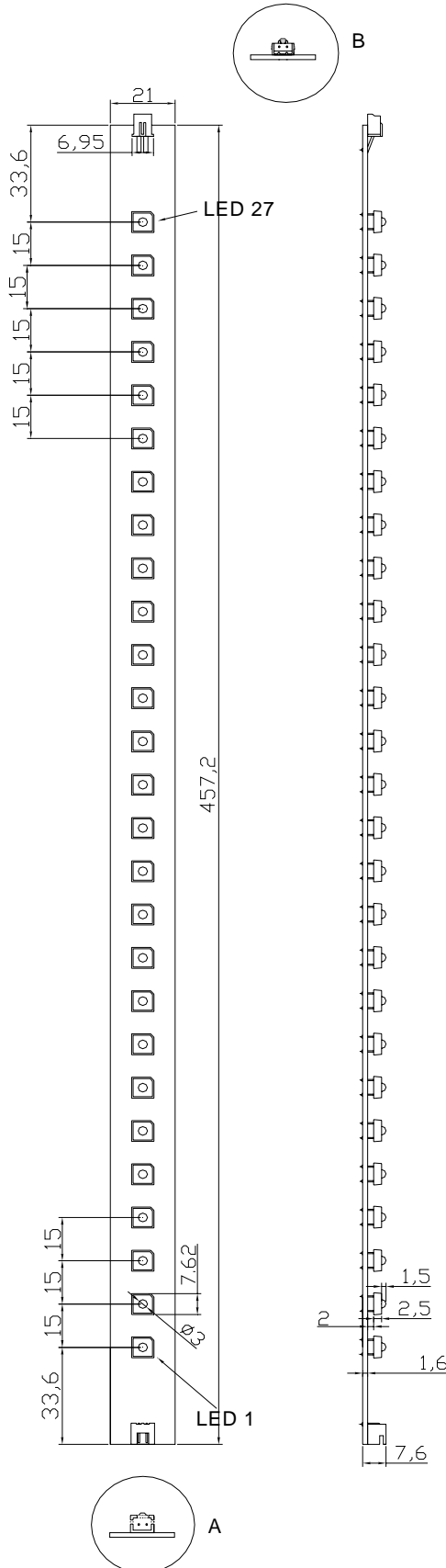
Items	Symbol	Values	Units
Operating supply range(DC)	V _{dc}	14	V
Input Current (DC)	I _i	270	MA
Power Dissipation	P _a	3.78	W
LED Light Source Temperature	T _{led}	105	DegC
Operating Temperature	T _{ope}	-10 ~ +40	DegC
Storage Temperature	T _{sto}	-20 ~ +80	DegC

Typical Performance (Ta=25)

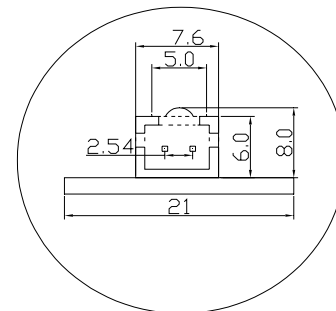
Items	Symbol	Min.	Typ.	Max.	Units
LED Module Power	P _m	---	2.16	3.78	w
Input Voltage (DC)	V _i	---	12	14	V
Product input Current	I _f	---	180	270	mA
Beam Pattern	BP	---	60	---	Deg
Total Length of Modules (Including Pin)	L _{mod.}	---	457.2	---	mm
Net Weight	Wei.	---	30.2	---	g

Model No.	OSMY46K27GH- XXXAZ161D-A
REV.	C2

Product Dimensions:



EINZELHEIT B



EINZELHEIT A

Unit : mm



Model No.	OSMY46K27GH- XXXAZ161D-A
REV.	C2

Applied product electrical connection schematic diagram:

